



WINDOW TECHNOLOGY
DOOR TECHNOLOGY
AUTOMATIC ENTRANCE SYSTEMS
BUILDING MANAGEMENT SYSTEMS



DOOR TECHNOLOGY

Overview of GU door hinge series

Securing technology for you



Securing technology for you

On the safe side with the GU door hinges

Suitable for use in escape and rescue routes4 – 5

The barrel hinge for commercial and residential buildings

GU R 816 3D – Barrel hinge for PVC door elements.....6

Can reliably and continuously withstand high loads

GU G 81x series – Screw-on hinges for PVC door elements7

Concealed hinge technology

GU C 616-18 FD 3D CONCEALED for timber door elements.....8

Elegant steel hinge roll

GU M 516 3D – Mill-in hinge for timber door elements9

Slip-on bushes available in different finishes

GU M 416 3D – Mill-in hinge for timber door elements10

Quickly installed

GU D 312, GU D 21x and GU D1xx series – Drill-in hinges for timber door elements.....11

Slender but strong

GU A 316 3D – Screw-on hinges for metal door elements12

Systematic service.....13 – 14

Exclusion of liability / Copyright notice / Image credits.....15

Doors in public buildings are permanently moved and therefore demand solutions that take into account high stress loads while meeting security and style requirements.

GU hinges stand out for their universal usability, sophisticated technology and elegant appearance.

Safety is not only the first priority at escape and rescue route doors. Our hinges for particularly high loads meet the high requirements up to resistance class RC 3 in different systems tests to EN 1627-1630.



For all ordering details refer to our order catalogue 'GU door hinges for project, main and secondary entrance doors'

WP00053-04-2-1

Suitable for use in escape and rescue routes

Peoples' lives depend on the quality of escape and rescue route systems. GU Group takes this responsibility seriously: by delivering comprehensive escape door system solutions which go much further than just satisfying the relevant standards. This gives architects and planners certainty and peace of mind – from the design stage through to the finished building.

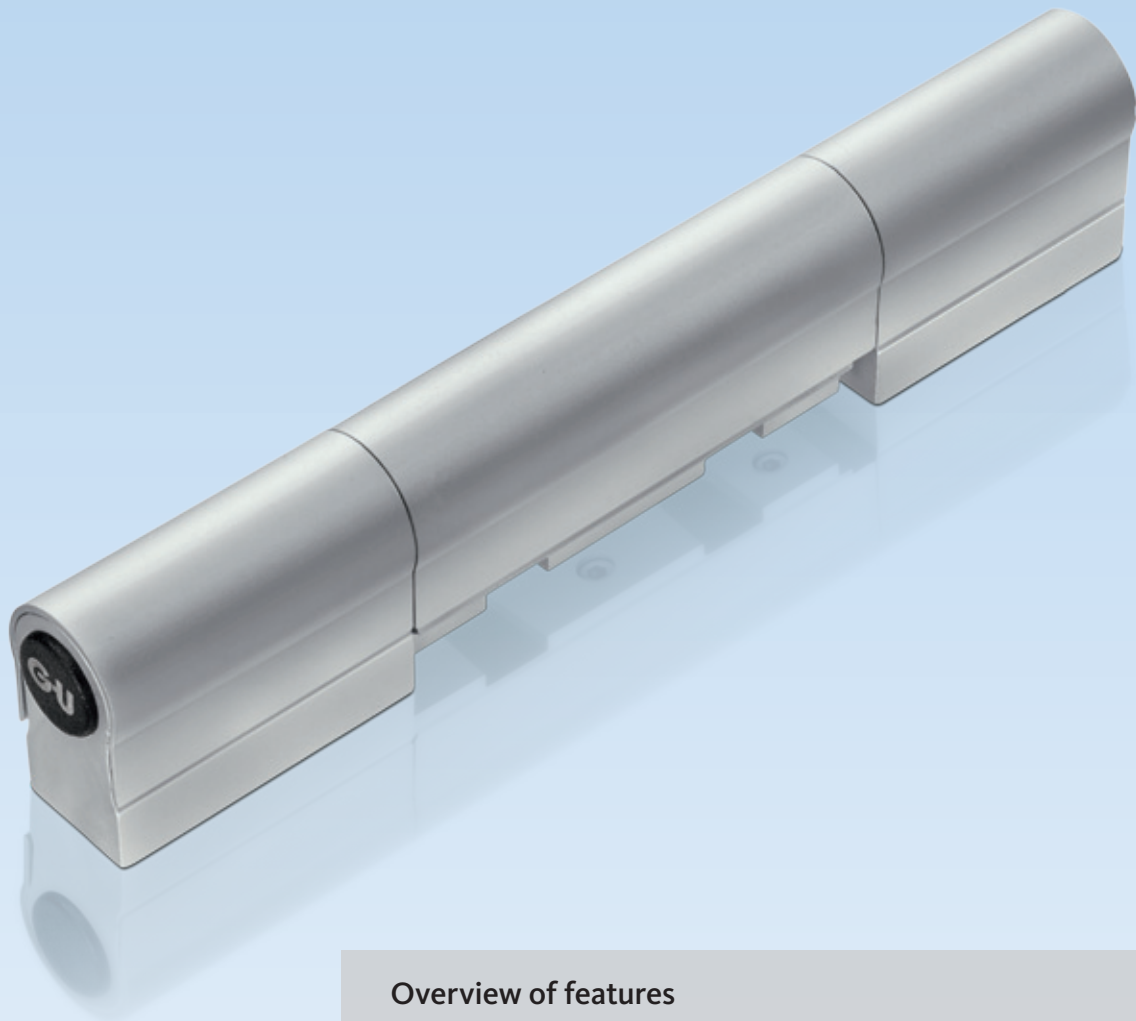
Gretsch-Unitas offer a wide range of door hinges with CE certification in accordance with EN 1935 that are suitable for use in escape and rescue routes. If you have the GU license, testing of the "Release capability" element at a testing centre is not required. Speak with us at the GU expert seminar with authorisation.





The barrel hinge for commercial and residential buildings

GU R 816 3D – Barrel hinge for PVC door elements

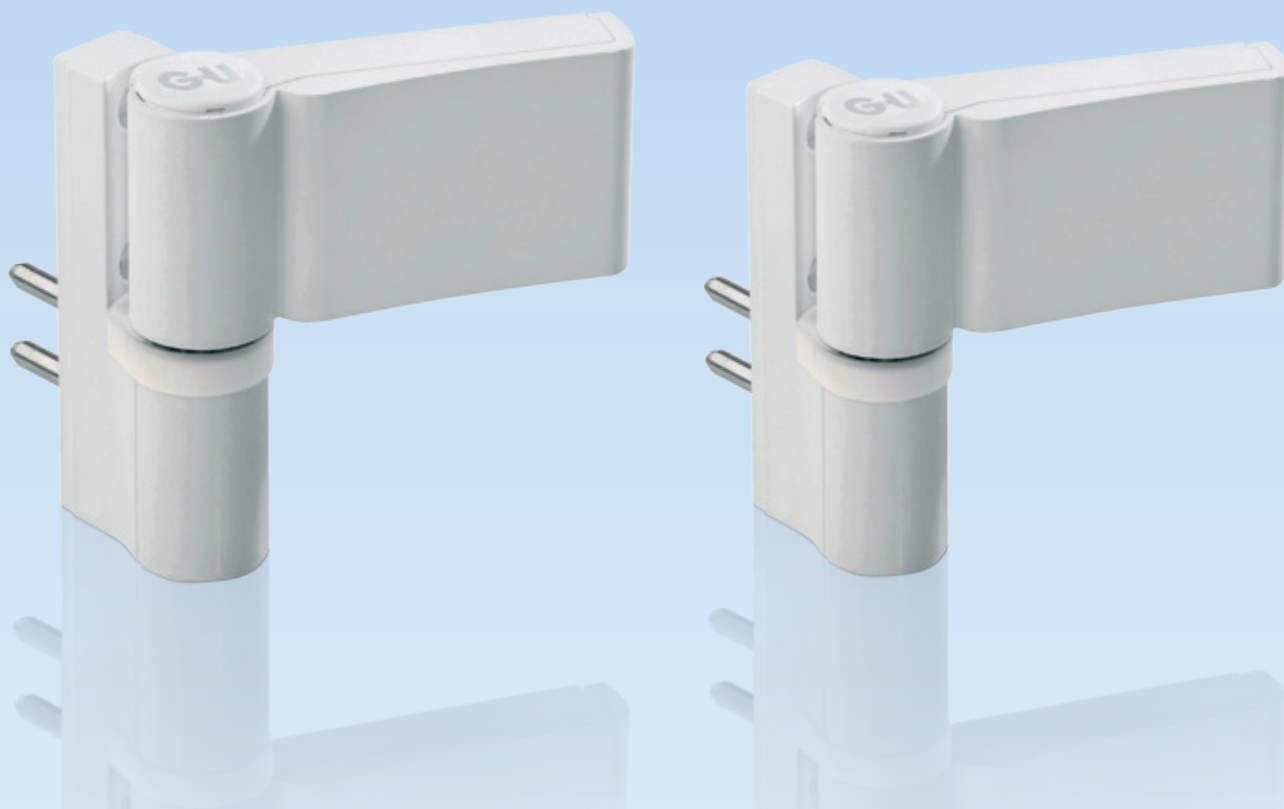


Overview of features

- Slender and round – hinge diameter of only 22 mm – for high-quality PVC doors in commercial and residential buildings
- ✚ **The hinge pin is proof against being sawn through as standard**
 - Increased burglar resistance, SKG-certified (two stars)
 - CE-certified according to EN 1935 in the highest hinge grade, can be used for doors in escape and rescue routes
- ✚ **Can continuously withstand high loads, tested up to hinge grade 14, 160 kg load-bearing capacity depending on profile**
 - Direct screwing using special self-tapping screws, the gasket level is not interrupted
 - Optional fastening options with fastening claw or fixing plate where the gasket level is not interrupted
 - Can be quickly and conveniently adjusted in three dimensions

Can reliably and continuously withstand high loads

GU G 81x series – Screw-on hinges for PVC door elements

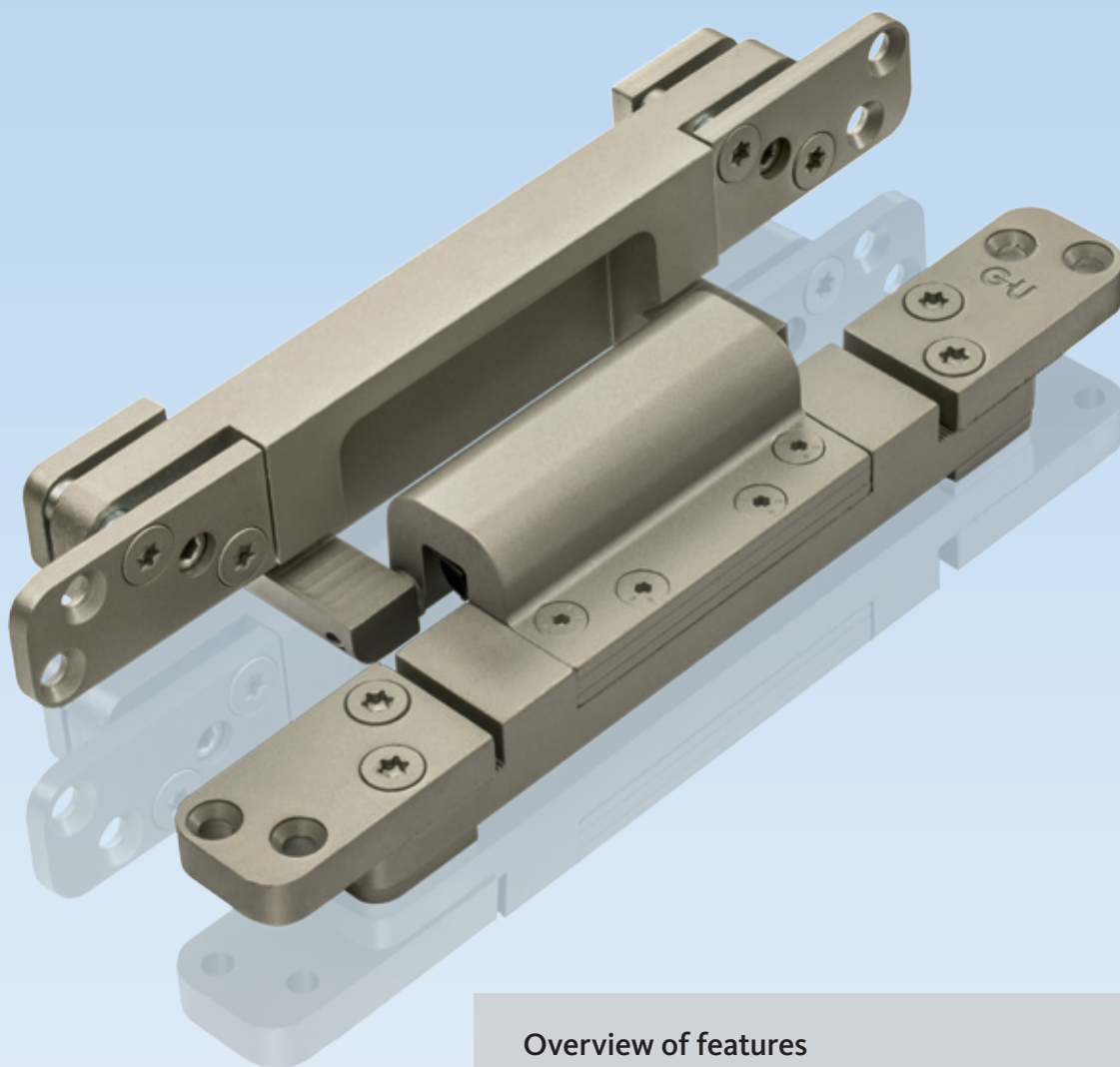


Overview of features

- Hinge pins made of hardened, corrosion-resistant steel
- ✚ **The hinge pin is proof against being sawn through as standard**
 - Increased burglar resistance, SKG-certified (two stars)
 - CE-certified according to EN 1935 in the highest hinge grade, can be used for doors in escape and rescue routes
- ✚ **Can continuously withstand high loads, tested up to hinge grade 14, 160 kg load-bearing capacity depending on profile**
 - Same hole pattern for GU G 816 F 100 and GU 812 F 100
 - Fixing options with GU-Bridge or additional leaf-part support pins for GU G 816 F 100
 - Can be quickly and conveniently adjusted in three dimensions

Concealed hinge technology

GU C 616-18 FD 3D CONCEALED for timber door elements

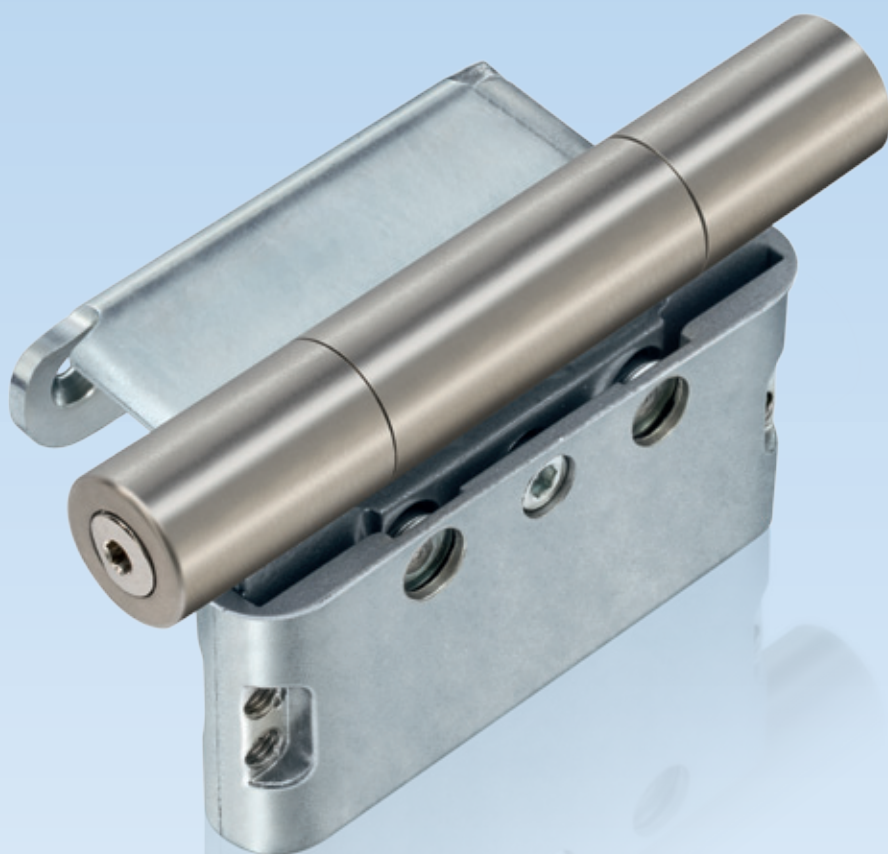


Overview of features

- ✚ Provides a modern linear door design, so the clean lines of the door are not interrupted
- ✚ Can be used for rebated doors with overlap gasket
 - Can be quickly and conveniently adjusted in three dimensions
 - Can continuously withstand high loads
 - Maintenance-free bearing system
 - Continuous gasket plane (impact gaskets)
 - Can be quickly and conveniently adjusted in three dimensions

Elegant steel hinge roll

GU M 516 3D – Mill-in hinge for timber door elements



Overview of features

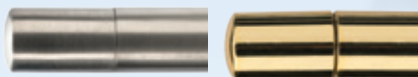
- Increased burglar resistance thanks to the closed hinge roll, can be used for system tests according to EN 1627 et seq. / RC 3
- CE-certified according to EN 1935, can be used for doors in escape and rescue routes
- ✚ **Can be quickly and conveniently adjusted in three dimensions and independently from each other**
- ✚ **Stable hinge seating during and after setting the door hinges**
 - Can continuously withstand high loads, 160 kg load-bearing capacity
 - Individual gasket-guide can be used for almost all rebate systems
 - Can be quickly and conveniently adjusted in three dimensions

Slip-on bushes available in different finishes

GU M 416 3D – Mill-in hinge for timber door elements



Available door-hinge covers



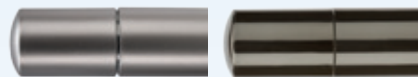
Matt stainless steel

Polished brass



Stainless steel look, painted

White painted, RAL 9016



Matt chrome look, painted

Brown painted RAL 8019

Overview of features

- Increased burglar resistance, always with secured pins
- CE-certified according to EN 1935, can be used for doors in escape and rescue routes
- Stable, straight hinge seating during and after setting the door hinges
- Can continuously withstand high loads, 160 kg load-bearing capacity
- **Door-hinge covers available in different finishes**
 - Individual gasket-guide can be used for almost all rebate systems
- **Can be quickly and conveniently adjusted in three dimensions and independently from each other**

Quickly installed

GU D 312, GU D 21x and GU D1xx series – Drill-in hinges for timber door elements



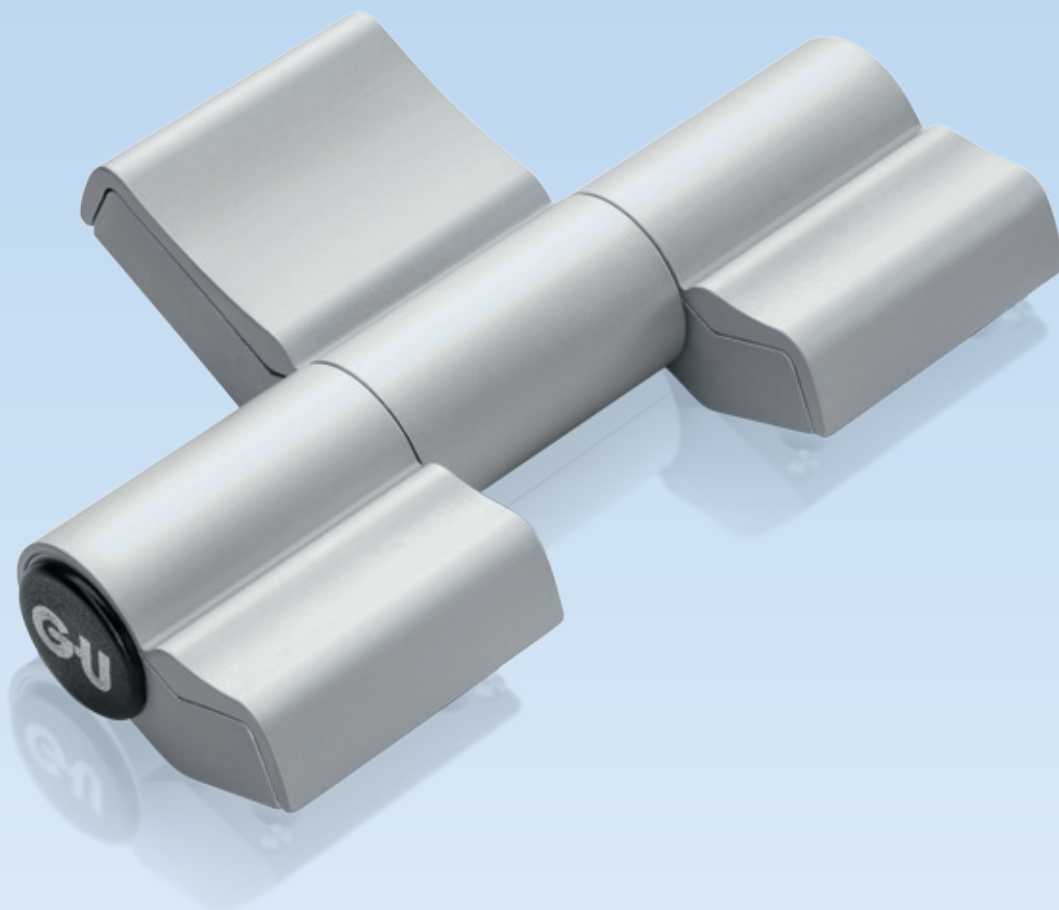
Overview of features

- Simple application
- +
- **Fast installation**
- Can be quickly adjusted in three dimensions
- Stable hinge seating during and after setting the door hinges
- Developed also for use with small overlap heights
- Maintenance-free bearing system



Slender but strong

GU A 316 3D – Screw-on hinges for metal door elements



Overview of features

- Can be used universally for metal doors in commercial and residential buildings
- Increased burglar resistance, SKG-certified, up to three stars
- CE-certified according to EN 1935, can be used for doors in escape and rescue routes
- ✚ **The hinge design is retained, no roll offset following lateral adjustment**
 - Can continuously withstand high loads, tested up to hinge grade 14, 160 kg load-bearing capacity
- ✚ **Fast installation times thanks to detachable direct screwing**
 - Can be quickly and conveniently adjusted in three dimensions



Systematic Service

A product on its own is not a solution. The correct level of security, function and cost effectiveness can only be achieved with the right planning and by ensuring correct application. The GU Group therefore also applies the systematic thought processes demonstrated in its product range to its service offering. Close interlinking of one-to-one expert advice, free online support and a comprehensive programme of technical seminars aims to make the day-to-day work of customers easier.

Systematic service

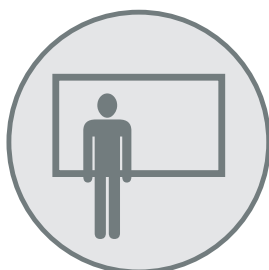
Service, planning, seminars



CE licenser

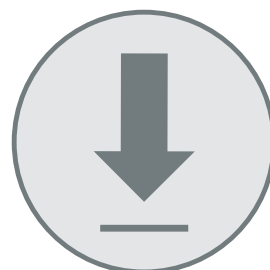
Maximum security as standard

If you have the GU license, testing of the "Release capability" element at a testing centre is not required. Speak with us at the GU expert seminar with authorisation.



Seminars and training courses

Practical knowledge based on first-hand experience: with around 160 events annually, the GU group offers an extremely wide range of seminars and training courses. The programme includes product innovations and their applications, current architectural trends and standards and directives. Several seminars and training courses are certified and recognised as advanced training courses by the chamber of architects and civil engineers in Germany.



Free download

Planning made simple: a wide range of information on the products and applications is available to download from our company website to the local hard drive quickly, conveniently and free of charge: from product documents and installation drawings to Declarations of Performance through to software solutions.



Planning support

The basis for successful construction projects: GU Group provides architects and planners with comprehensive support. Comprehensive cross-trade concepts tailored to the individual building requirements are developed in close collaboration with the customers. These take into account the safety of the building and occupants and barrier-freedom comfort and aesthetics in equal measure.



Building project consulting

Simplifies everyday work: building project consulting assists architects and planners with project-specific drawings and door schedules, cable diagrams and tender specifications or conceptual designs with functional descriptions, for example. Well thought out and coordinated system solutions guarantee functionality and compliance with the required standards and directives.

Exclusion of liability

The information provided in this publication consists of product descriptions. This is general information based on our experience and tests and therefore does not take any specific application into account. No claims for compensation can be made on the basis of the product descriptions.

Although we have made every attempt to ensure the information provided here is accurate, it is non-binding. It should be adapted to the respective construction projects, usage and specific on-site demands.

The publication has been compiled to the best of our knowledge. The Gretsch-Unitas Group accepts no liability for any errors.

The document is subject to modifications during the course of technical developments.

The product images shown in the publication may differ from the actual product.

Copyright notice

© All illustrations and texts in this publication are protected by copyright. Unless otherwise stated on the image, the rights belong to the Gretsch-Unitas Group. Any use of copyright protected materials without the consent of the holder of the rights is prohibited.

Publisher

Gretsch-Unitas GmbH

Baubeschläge
Johann-Maus-Str. 3
D-71254 Ditzingen

Tel. +49 7156 301-0

Fax +49 7156 301-293

www.g-u.com

Gretsch-Unitas GmbH
Baubeschläge
Johann-Maus-Str. 3
71254 Ditzingen
Germany
Tel. +49 7156 301-0
Fax +49 7156 301-77980

BKS GmbH
Heidestr. 71
42549 Velbert
Germany
Tel. +49 2051 201-0
Fax +49 2051 201-9733

GU Automatic GmbH
Karl-Schiller-Str. 12
33397 Rietberg
Germany
Tel. +49 5244 9075-100
Fax +49 5244 9075-599

www.g-u.com

Securing technology for you

