

SWEETDREAMS— RON GILAD 2014

1—
3



The Sweetdreams bed, designed by Ron Gilad and presented last year as a multimedia installation, has joined the Molteni&C collection. This design, featuring slender, well-proportioned forms, was deeply inspired by tradition, and the art of cabinet making played an essential role in defining the profile of the high, upholstered headboard and the bedframe supported by tall feet at the sides. Sweetdreams is an evocative design, focused on transmitting wellness deriving from tranquillity that can draw on our bodies' relaxing, regenerating energies.

FEATURES

Bed with padded bedframe with solid wood legs and matching padded headboard, to hang on the wall, framed with a solid wood shaped piece. The bed can be fitted with any type of springs of varying thickness due to the adjustable support system.

DATASHEET

REGISTERED
DESIGN

XII.2014

molteni.it

Dimensions in millimeters and inches. The right to discontinue and make changes is reserved. This information is based on the latest product information available at the time of printing.

FINISHES

BEDFRAME- HEADBOARD COVERS

fabric - leather, completely removable.

Available in fire-resistant version (TB117 and BS5852).

HEADBOARD STRUCTURE - FEET FINISHES

grey oak - black oak - light elm (oak tinted) - dark elm (oak tinted) - eucalyptus - American walnut

Molteni & C

TECHNICAL INFORMATION

HEADBOARD STRUCTURE

Solid wood frame of Oak (Quercus) black Oak, grey Oak, light Elm, dark Elm finishes; of Toulipier (Liriodendron tulipifera) for Eucalyptus finish; of American walnut (Juglans nigra) for American walnut finish. Chipboard panel.

HEADBOARD PADDING

Shaped polyurethane foam and cover in bonded velveteen.

FEET

Solid wood of Oak black Oak, grey Oak, light Elm, dark Elm finishes; of Toulipier for Eucalyptus finish; of American walnut for American walnut finish.

BEDFRAME STRUCTURE

MDF panels.

BEDFRAME PADDING

Shaped polyurethane foam and cover in bonded velveteen.

REMOVABLE OUTER COVERS

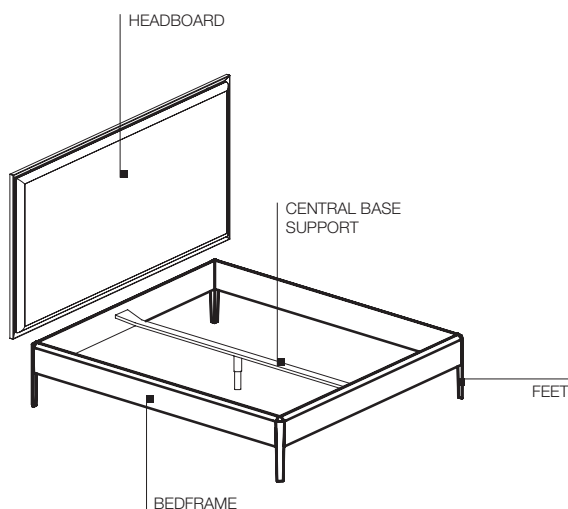
(See attached label, specific for each cover).

ADJUSTABLE BASE SUPPORT

Tropicalised metal with soft PVC cover.

CENTRAL BASE SUPPORT

Painted metal.



DATASHEET

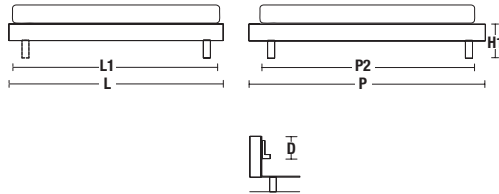
REGISTERED
DESIGN

XII.2014

DIMENSIONS

Notes

Specific brackets are provided to mount the bed headboard on the wall, but a kit of wall anchors is not provided because the appropriate fasteners must be defined by the dealer for each installation on the basis of the type of material used to make the wall and the structure of the wall.



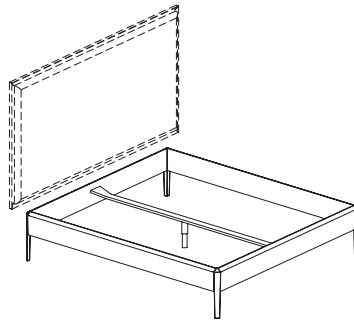
OUTER DIMENSIONS			INNER DIMENSIONS		
L	P	H1	L1	P2	D
Width	Length	Bed base height	Width	Length	Space for insertion of the slatted base
1710 67 3/8"	2110 83 1/8"	440 17 3/8"	1600 63"	2000 78 3/4"	57 2 1/4"
1810 71 1/4"	standard model		1700 66 7/8"	standard model	81 3 1/4"
1910 75 1/4"	2210 87"		1800 70 7/8"	2100 82 3/4"	104 4 1/8"
2110 83 1/8"	on request		2000 78 3/4"	on request	128 5"

Depth 2100 mm (internal dimension) is available, on request, on SLE16T-SLE17T-SLE18T-SLE20T.

bedframe with central support

Technical notes:

QS and KS versions available in special measure



SLE16T

SLE17T

SLE18T

SLE20T

headboard

H 1140 th 70
W 44 7/8" th 2 3/4"

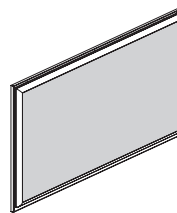
W 2114-W 83 1/4"

W 2214-W 87 1/4"

W 2314-W 91 1/8"

Technical notes:

headboard QS = headboard STE16
headboard KS = headboard STE18/20



STE16

STE17

STE18/20